







**MIEDEMA MB  
BOX FILLERS**

 Soil cultivation

 Planting

 Harvesting

 Storage

 Grading

## HOMOGENEOUS BOX FILLING WITH MAXIMUM CAPACITY

When filling boxes, everything revolves around product friendliness and capacity. Therefore Miedema developed box fillers that fill homogeneously, while always keeping drop height to a minimum. All you have to do is change the boxes... With the fully automatic **INNOVATIVE** MB 111 box filler you achieve unparalleled filling capacity with a significant reduction of forklift handling. Want to fill boxes **RELIABLY**? Then choose a Miedema MB box filler!



## SIMPLER

The MB series makes use of a dust-tight control box and an HMI operator panel with icons, which makes operating it very **ENJOYABLE**. All the machines are equipped with Start-Control. The MB is a master machine (at the end of the line) that can start and stop the entire line. One notable aspect is the low energy consumption of these box fillers. This makes the MB series

exceptionally **ECONOMICAL** machines. With three different versions, Miedema offers a solution for every customer.

## MIEDEMA MB 33

In the case of the MB 33, the boxes are partially filled in layers by nodding the filling belt in the box and moving it back and forth. Thanks to the arrester flaps on the nodding section of the filling belt, maximum product friendliness is guaranteed. The product sensor at the end is used to determine when to change the angle and position of the filling belt. The homogeneous filling of the boxes ensures good ventilation of the stored product. The last layer is filled with the belt nodded.



### TECHNICAL SPECIFICATIONS

Total height, incl. arrester flaps [cm]	236 - 286
Space between floor and underside of filling belt frame [cm]	119 - 169
Total width of filling belt [cm]	87
Total length of filling belt [cm]	437
Min./max. box length [cm]	140 - 260
Maximum box height [cm]	157
Capacity per hour	40 - 60 boxes

## MIEDEMA MB 55

In the case of the MB 55, the boxes are filled layer by layer by lowering the box while swinging the filling belt left and right. The product sensor at the end is used to determine when it is necessary to swing the filling belt or lower the box. The homogeneous filling of the boxes ensures good ventilation of the stored product. The last layer is filled with the belt straight.



### TECHNICAL SPECIFICATIONS

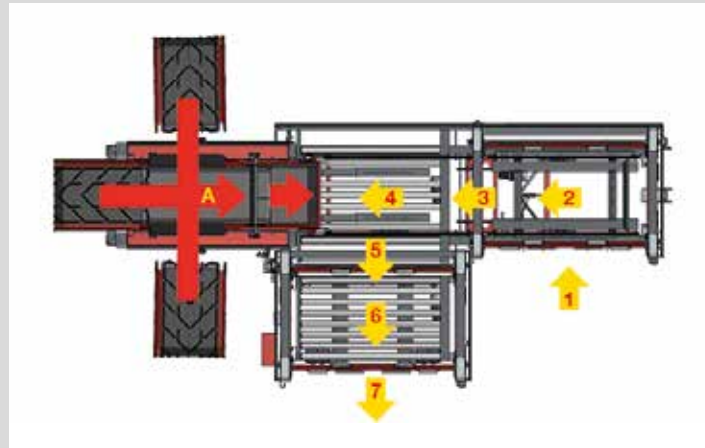
Total height [cm]	165 - 215
Plateau height [cm]	23,5
Space between plateau and underside of filling belt [cm]	100 - 150
Plateau length [cm]	180
Total width of filling belt X/75 [cm]	86,5
Total width of filling belt X/50 [cm]	61,5
Min./max. box length [cm]	91 - 180
Maximum box height [cm]	135
Capacity per hour	45 - 65 boxes

# FULLY AUTOMATIC BOX FILLING WITH THE MIEDEMA MB 111

With the MB 111 you are assured high capacity due to the non-stop supply of product with a minimum of forklift movements. The boxes are filled in three layers by lowering the box and shifting the wide buffer belt. The product sensor at the end is used to determine when it is necessary to shift the buffer belt or lower the box. The end of the buffer belt is fitted with a stopper flap that closes automatically when the box is full. While the buffer belt is filled, a new box is placed in the filling position. This way the same capacity is maintained and

you can fill more than 80 boxes per hour. The product flow can be supplied from three sides, giving you the utmost flexibility in any space. The box filler is prepared for a weighing system as standard. Via the optional Buffer Control cable, the ME elevator belt is controlled to enable the conveyor belt to provide partial buffering. The conveyor belt reduces its speed, thus increasing the total capacity per hour.

1. Supply of up to three boxes
2. Unstacking of the boxes  
Box clamp tilts 2nd box (or multiple boxes) up
3. Transport of the box to be filled to the plateau  
Meanwhile the buffer belt is filled
4. Box tips and is filled
5. Transport of the full box to the stacking unit
6. Stacking of up to two boxes
7. Discharge of the full boxes
- A. Product supply possible from three sides



BUFFER BELT



BOX PLATEAU



LOAD CELLS (OPTION)

## TECHNICAL SPECIFICATIONS

Total height [cm]	Max. 375
Total width [cm]	367
Total length [cm]	800
Capacity buffer belt [kg]	400
Minimum box length [cm]	140
Maximum box length [cm]	185
Maximum box height [cm]	130





**PRODUCT SENSOR**

The ultrasonic product detector guarantees minimum fall height and full boxes. The detection range and the position are freely adjustable. Dust and moisture have no effect on these sensors.



**HMI OPERATOR PANEL**

The complete machine is operated via the icons on the easy-to-use HMI operator panel. The current status of the machine, the batch counter and the total counter are all shown clearly.



**START-CONTROL**

All the Miedema box fillers are standard equipped with Start-Control. The MB box filler is a master machine (at the end of the line) that can start and stop the entire line.

## OPTIONS



**ELEVATOR BELT RT 30 (MB 33 & MB 55)**

With the RT 30 elevator belt you are assured optimal supply of the product. What makes it so convenient is the continuous adjustment of the supply and discharge height. A pin/hole coupling of the RT 30 to the MB prevents shifting relative to the box filler, guaranteeing optimal box filling.



**VARIABLE FILING BELT SPEED (MB 33 & MB 55)**

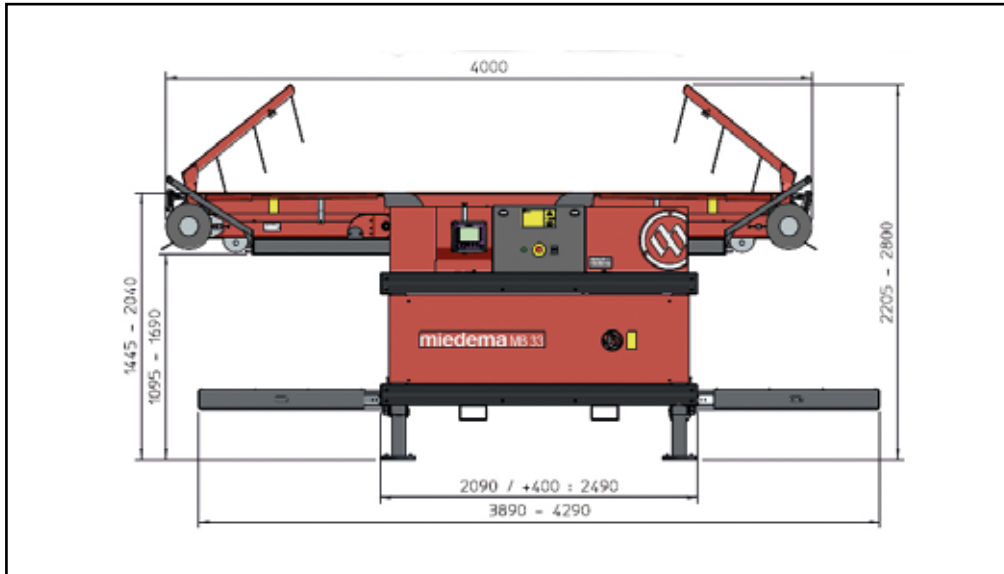
A frequency inverter allows adjustment of the filling belt speed between 15 and 53 m/min for careful product handling or higher capacity. The speed is set via the HMI operator panel.



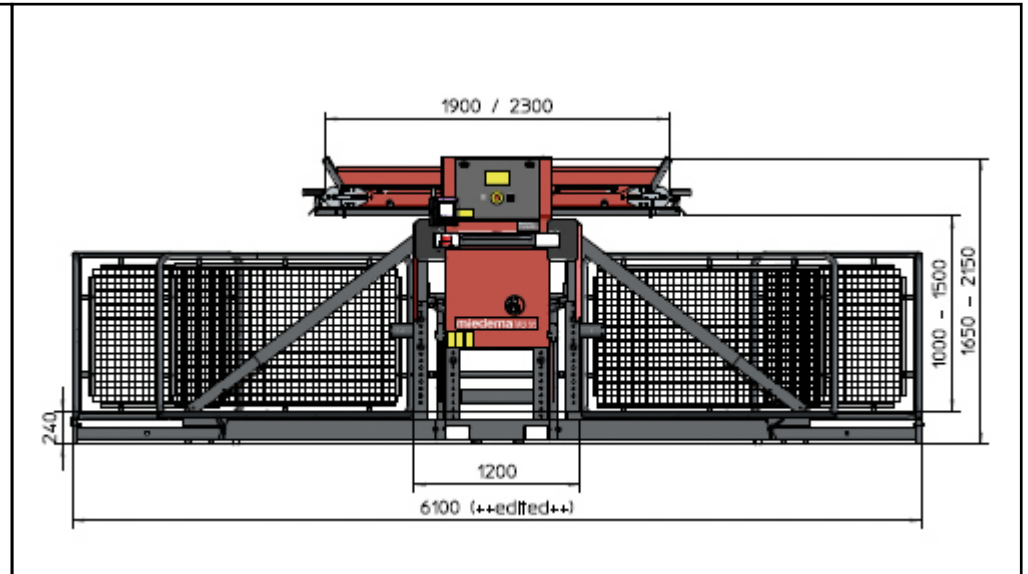
**REVERSING BUTTON FILLING BELT DIRECTION (MB 55)**

A reversing button at each end of the filling belt allows you to manually run the belt in the other direction for as long as the button is held. This enables you to manually flatten the product and add product to fill the box completely.

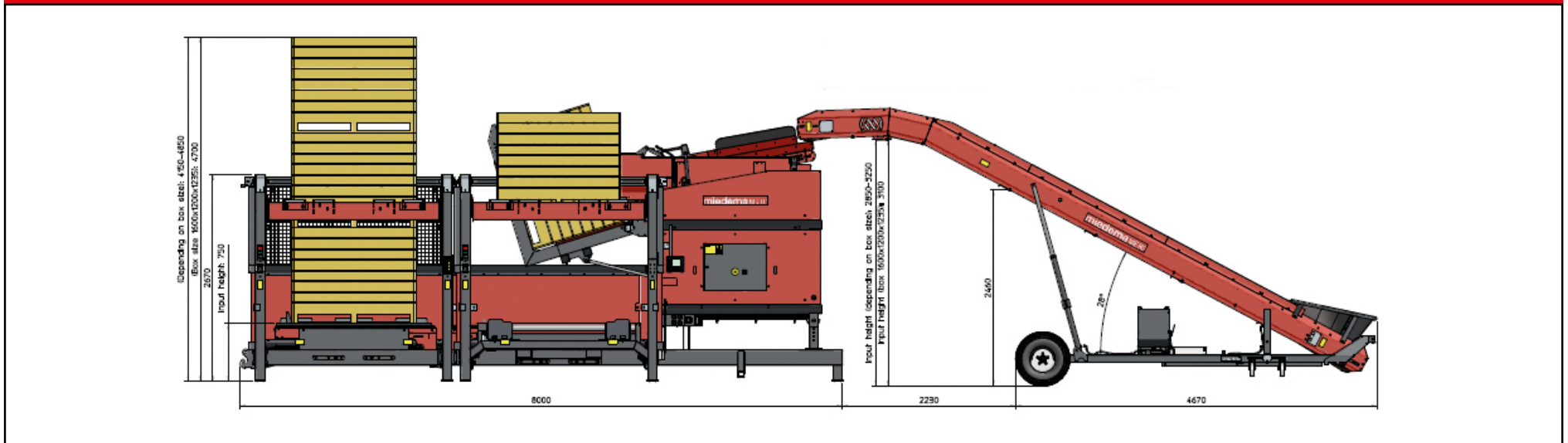
# DIMENSION DRAWINGS



MIEDEMA MB 33



MIEDEMA MB 55



MIEDEMA MB 111

# TECHNICAL SPECIFICATIONS

• standard      o optional      - not possible

	<b>MB 33</b>	<b>MB 55</b>	<b>MB 111</b>
Minimum box length [cm]	140	91	140
Maximum box length [cm]	260	180	185
Maximum box height [cm]	157	135	130
Start-Control	•	•	•
Product sensors	•	•	•
Arrester flaps	•	•	•
Forklift pockets	•	•	•
Transport set	-	-	•
HMI operator panel	•	•	•
Variable filling belt speed	o	o	•
Other sizes of filling belts	o	o	-
Set for short box (140 - 160 cm)	o	o	-
Set for low box (90 - 100 cm)	o	o	-
Set for long box (up to 240 cm)	o	o	-
Reversing button filling belt direction	-	o	-
Set for boxes with width over 110 cm	-	o	-
Elevator belt RT 30	o	o	-
Elevator belt ME 80 - 100	o	o	o
Prepared for connection of weighing plateaus	o	o	o
Prepared for CANbus communication between box fillers	•	•	•
Buffering on elevator belt (ME 80 - 100) via CANbus communication	-	-	•
Power outlet (5 A) on machine	•	•	-